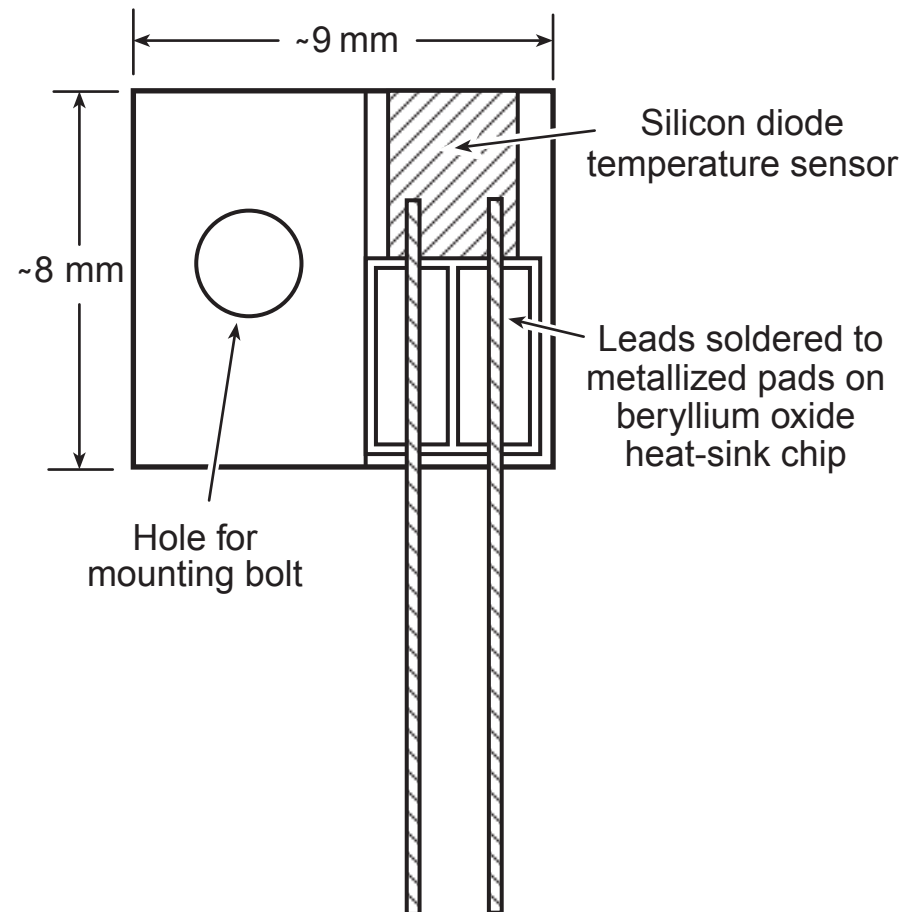


Copper Bobbin



Copper Block

FIG. 5.12 Bolt-on copper bobbin and copper block for thermally anchoring thermometer and leads (adapted from Lake Shore Cryotronics 2002). For the bobbin technique, the thermometer leads are wrapped around the bobbin and thermally attached to it with varnish or epoxy. For the copper block technique, a beryllium-oxide chip with electric-terminal metallization on top can be used to thermally anchor the thermometer leads. To enhance the thermal contact between the bobbin/block and sample holder, a thin layer of thermally conductive grease is applied to the bottom of the bobbin/block before it is bolted in place.