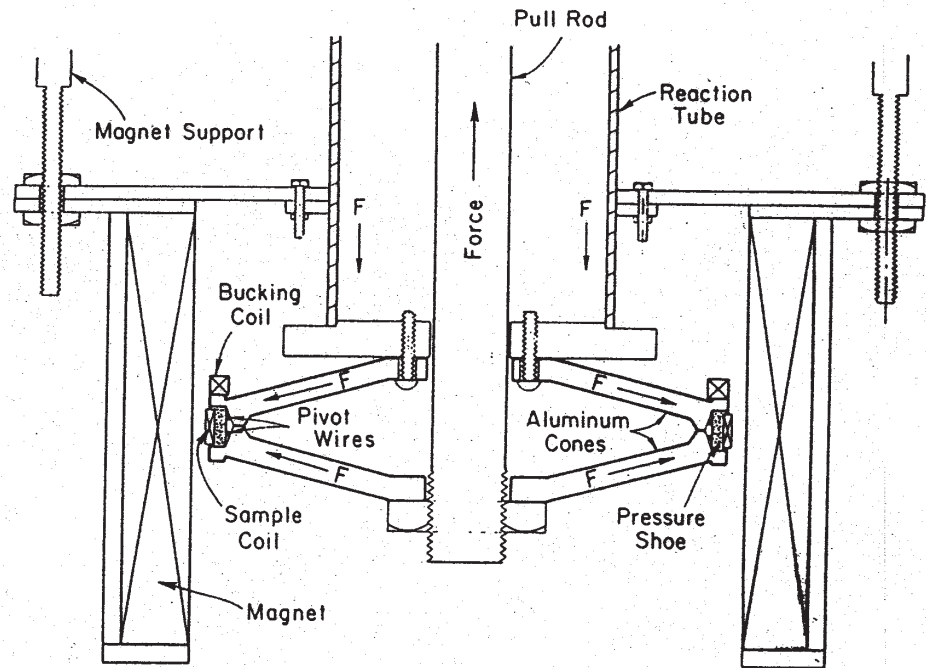


a



b

FIG. 9.18 Loading apparatus for applying hoop stress to a superconducting composite coil: (a) top view of cone assembly; (b) cross-sectional view. (From Ekin et al. 1980.)